



TYPE DG 12B

JUNE 1970

GENERAL DESCRIPTION

Legi[™] DG12B numerical indicator tubes provide a highly efficient display of digits and characters at extremely low operating voltages. These single-plane tube read-outs offer low power consumption with rugged construction, and an exceptionally wide viewing angle with unsurpassed brightness and clarity.

The numerical figures, mathematical symbols and characters are composed of highly efficient green phosphor-coated segments, energized by electrons emitted from a direct heated super fine cathode. Particularly suited to decimally coded applications such as basic counters and computer circuits, **Legi[™]** DG12B indication tubes display decimal points and numerical figures "0" through "9".

- Uni-Plane Design
- Sharp, Bright Green Characters
- Low Voltage
- Low Power Consumption

ELECTRICAL CHARACTERISTICS

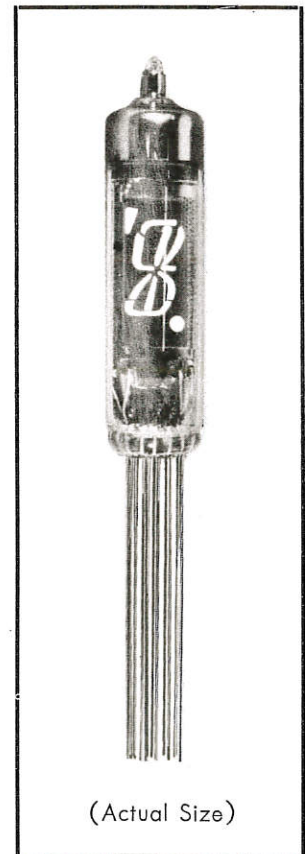
Cathode	Direct heating
Filament current	95mA
Filament voltage at 95mA	0.85Volts \pm 10%
Color of figures	Green
Brightness	80Foot-lamberts

ABSOLUTE MAXIMUM RATINGS

Maximum voltage, phosphor segments	27Vdc
Maximum pulse voltage upon phosphor segments	66Vp-p
Minimum voltage, phosphor segments	15Vdc
Maximum screen grid (control grid)	27Vdc
Maximum pulse voltage upon screen grid (control grid)	66Vp-p
Minimum screen grid (control grid)	15Vdc
Maximum filament current	105mA

AVERAGE RATINGS (D.C.)

Cathode current (at 20 Volts of phosphor segment and grid voltage)	6.0mA
Numerical phosphor segments current	1.2mA
Current to decimal point, ". " "▼"	0.1mA
Ambient temperature	-10 to +70°C



TYPICAL OPERATION

TYPE OF OPERATIONS	D.C.	Pulse (Not to exceed 66Vp-p Max.)			
		Duty 1/4	Duty 1/8	Duty 1/16	Duty 1/20
Filament (at 95mA)	0.85V	0.85V	0.85V	0.85V	0.85V
Phosphor segments & Screen grid(control grid)	20V	30Vp-p	40Vp-p	55Vp-p	60Vp-p
Screen grid (control grid) cut off voltage	- 4V	- 4Vp-p	- 4Vp-p	- 4Vp-p	- 4Vp-p
Phosphor segments cut off voltage	0V	0V	0V	0V	0V

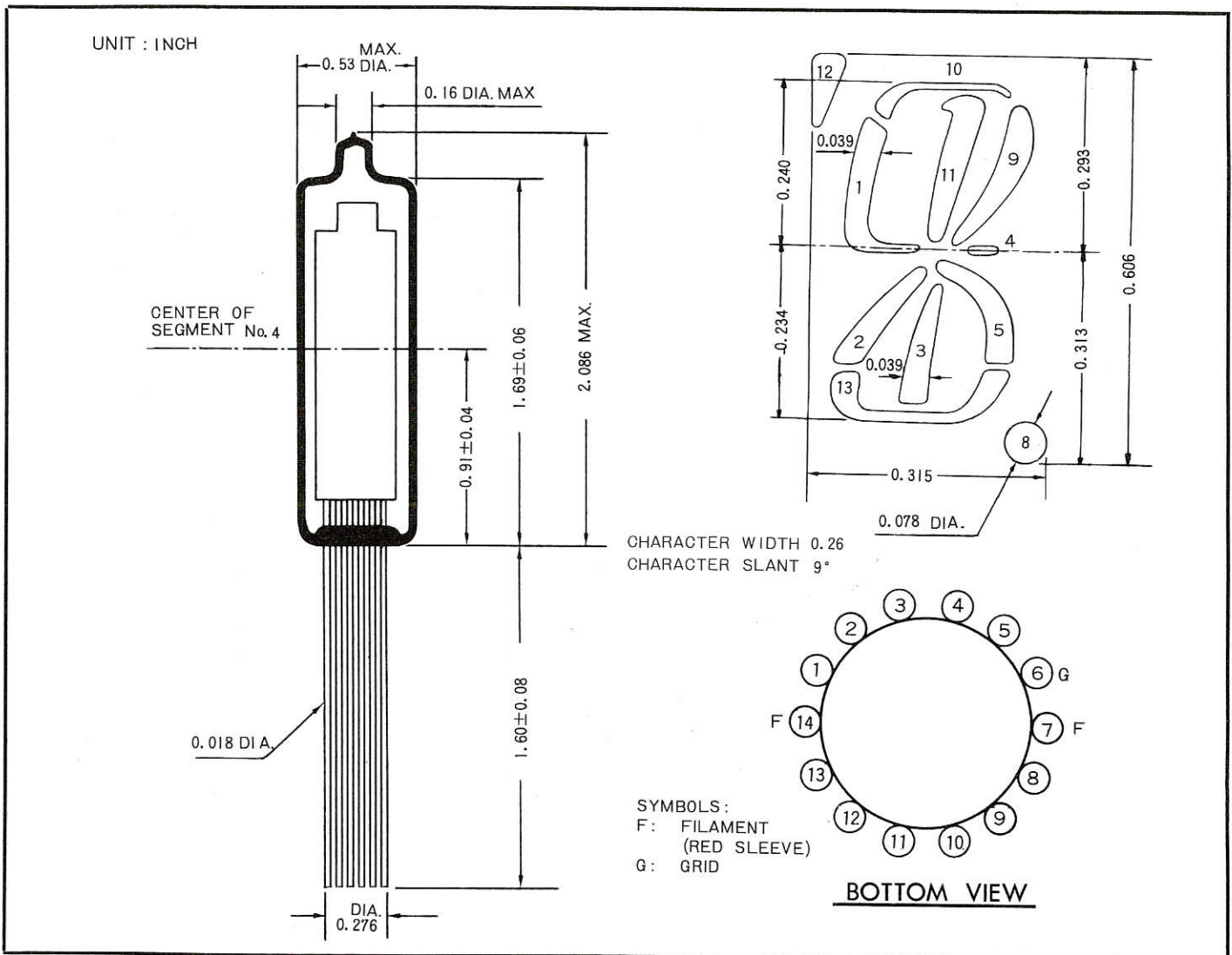
MECHANICAL DESIGN

EXTERNAL DIMENSIONS		CHARACTER DIMENSIONS	
Overall Length	2.086" Max.	Numerals	Height: 0.606"
Diameter of glass tube	0.53" Max.	Decimal point	Width: 0.315"
Maximum viewing angle	90.0 degree		Diameter: 0.078"
Net weight	7.0gr		
Mounting Position	Optional		
Base	cf. drawings		

CHARACTER OUTLINES (Actual Size)



OUTLINE DRAWING



For further information and prices, please contact:

THE EXCLUSIVE DISTRIBUTOR IN U.S.A & CANADA

Legi ELECTRONICS CORPORATION

3118. W. Jefferson Blvd.
Los Angeles, Calif. 90018
Tel : 733-9105